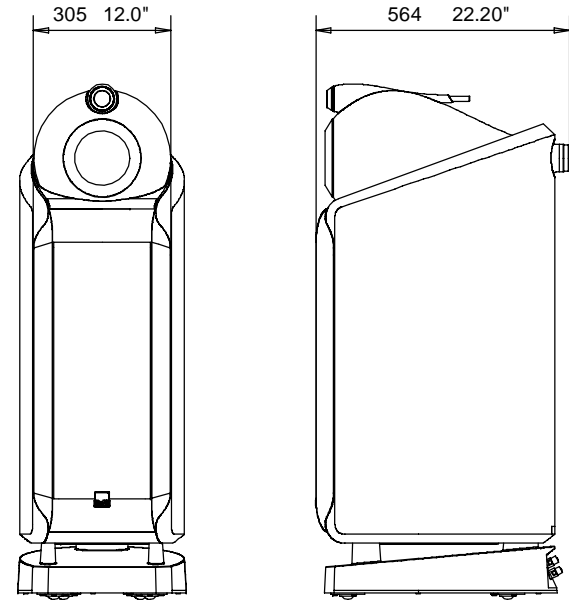
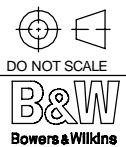
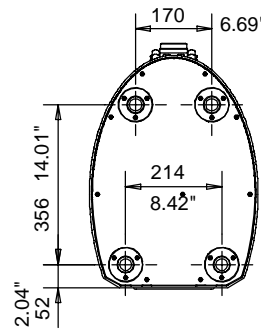


GRILLE OFF



GRILLE ON



DIMENSIONS IN mm	
TOLERANCES	
0.	± 0.5
0.0	± 0.3
0.00	± 0.1
ANGLES ± 0.5°	
UNLESS OTHERWISE STATED	

MATERIAL	
FINISH	

2 REDRAWN	13.5.05	ISS	AMENDMENT	ECN NO.	DATE	APPROVAL
TITLE						
802D LINE DRAWING						

COPYRIGHT © 2004	
DRAWN KW	DATE 11.10.04
CHECKED / APPROVED	
SCALE	NTS
FULL DRG SIZE	A3

PART NO.	FP20001
DRG. NO.	A7100-1-1
ISS	(2)