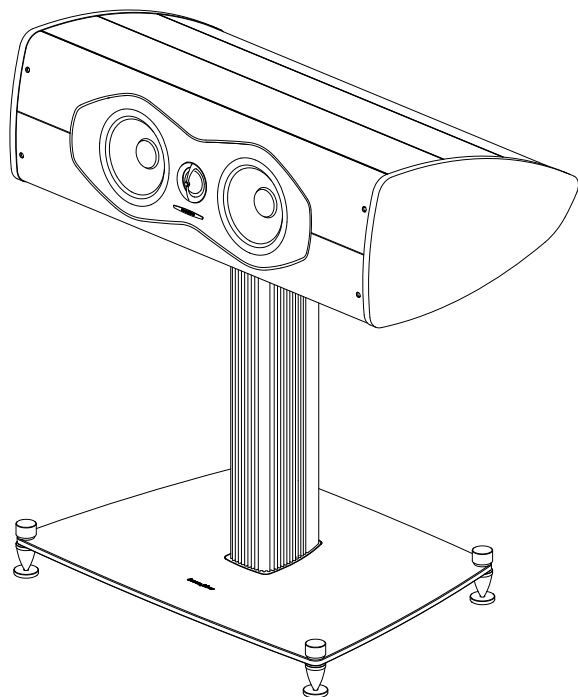


*Sonus faber*

ARTISAN OF SOUND

HORIZONTAL LOUDSPEAKER



## OLYMPICA NOVA CENTER I

### DIMENSIONS (HxWxD)

222x620x385 mm  
8,7x24,4x15 in

### WEIGHT

8 kg ea  
17,6 lb ea

### DIMENSIONS (HxWxD) STAND INCLUDED

690x620x385 mm  
27,1x24,4x15 in

### STAND WEIGHT

6,3 kg ea  
13,8 lb ea

