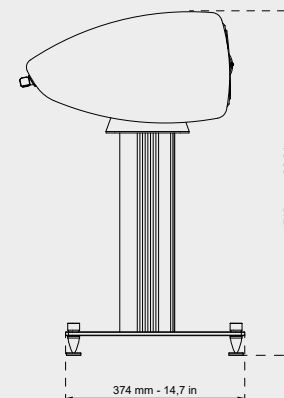
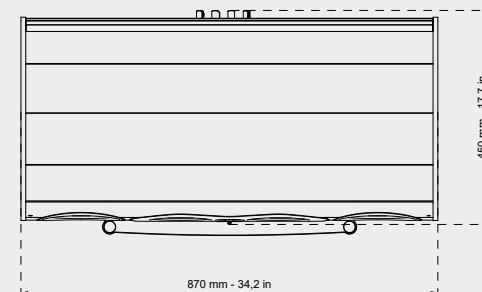
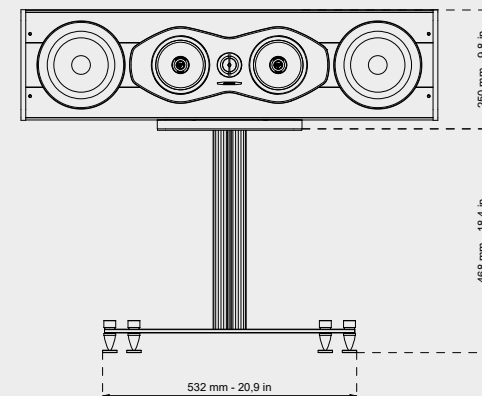
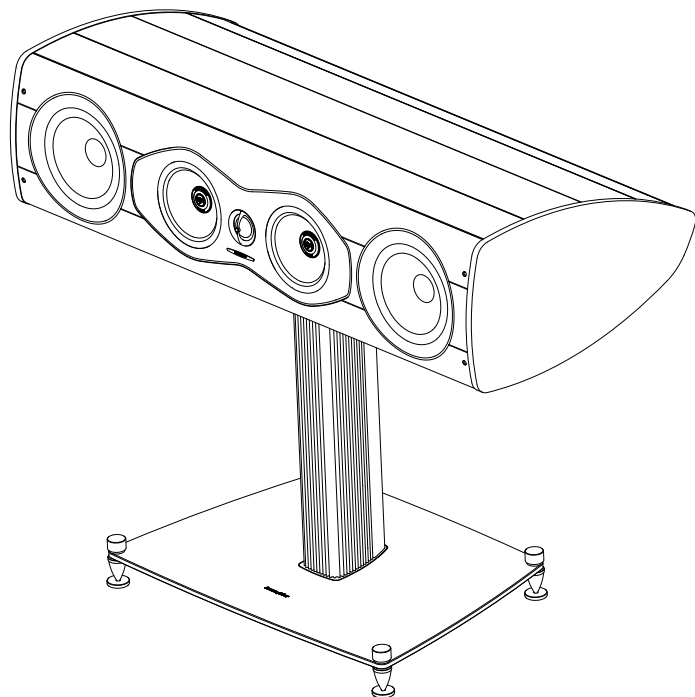


*Sonus faber*

ARTISAN OF SOUND

HORIZONTAL LOUDSPEAKER



## OLYMPICA NOVA CENTER II

### DIMENSIONS (HxWxD)

250x870x450 mm  
9,8x34,2x17,7 in

### WEIGHT

29 kg ea  
63,9 lb ea

### DIMENSIONS (HxWxD) STAND INCLUDED

718x870x450 mm  
28,2x34,2x17,7 in

### STAND WEIGHT

6,3 kg ea  
13,8 lb ea