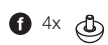
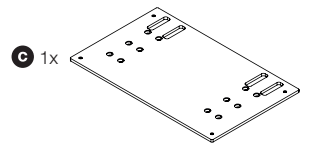
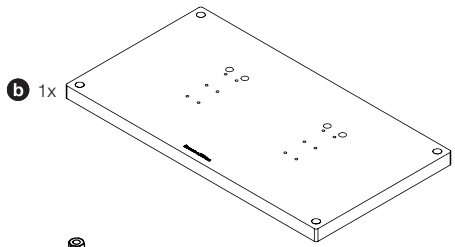
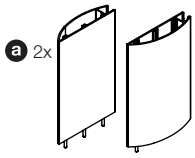
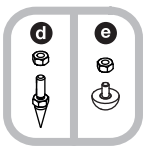
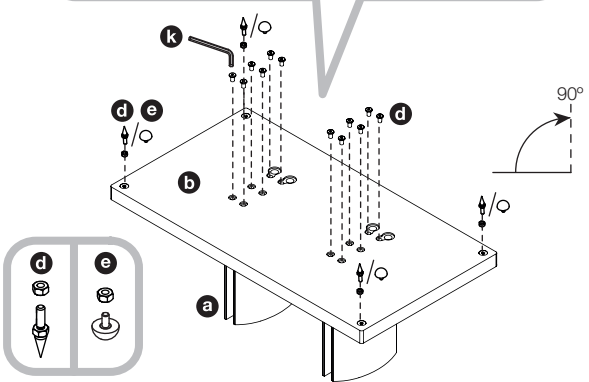
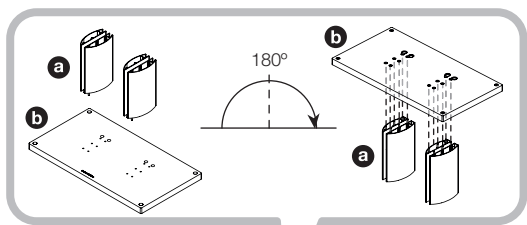


FS-HTM D3

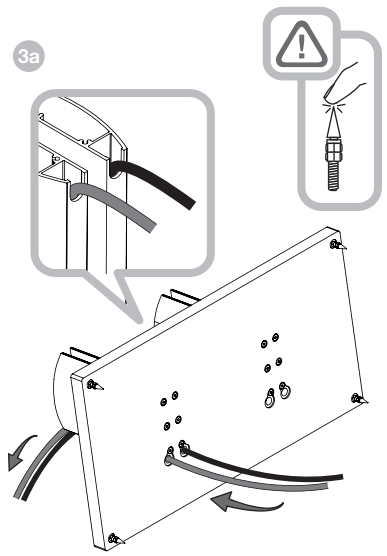
1



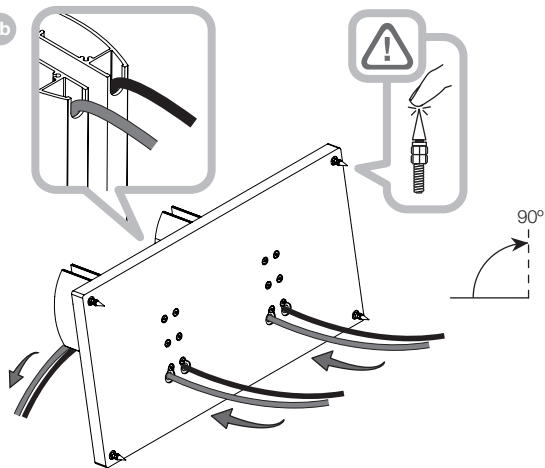
2



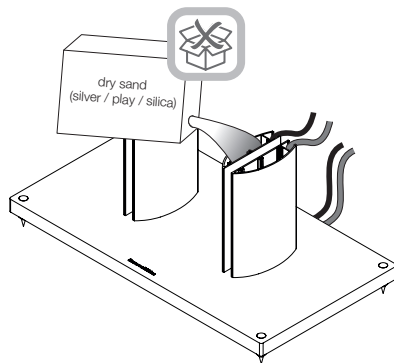
3a



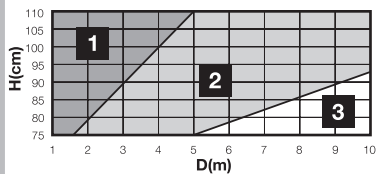
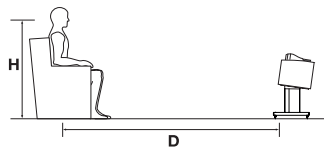
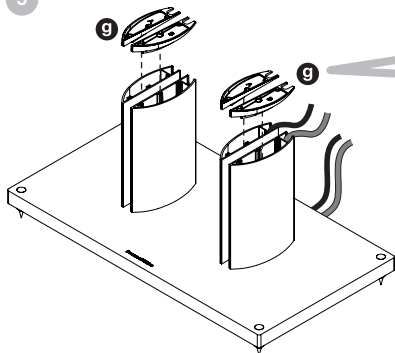
3b



4



5



1
g 2x A
2x B

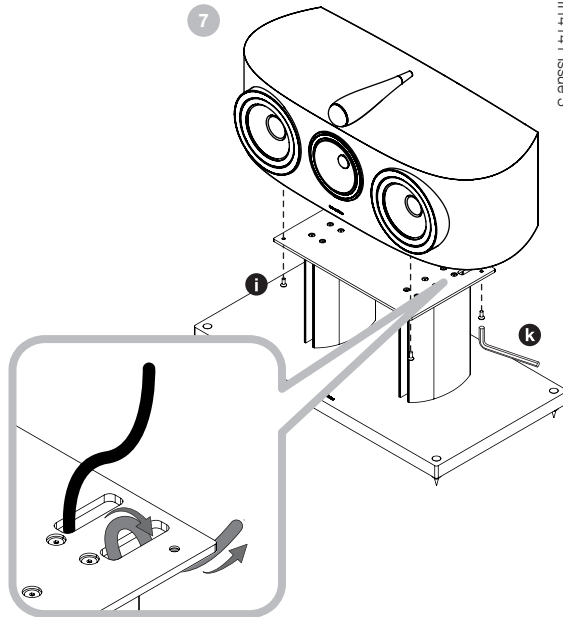
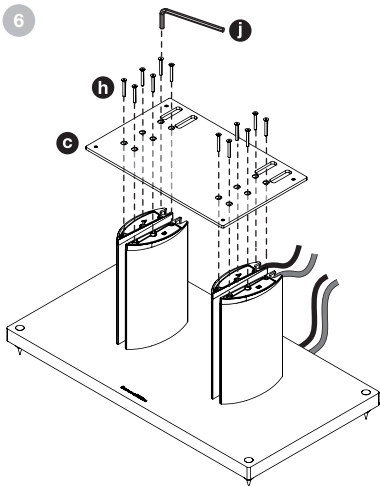


2
g 1x A
1x B



3
g 0x A
0x B





Bowers & Wilkins

B&W Group Ltd
 Dale Road
 Worthing West Sussex
 BN11 2BH England

T +44 (0) 1903221 800
 info@bwgroup.com
 www.bowers-wilkins.com

B&W Group (UK Sales)
 T +44 (0) 1903 221 500
 E uksales@bwgroup.com

B&W Group North America
 T +1 978 664 2870
 E marketing@bwgroupusa.com

B&W Group Asia Ltd
 T +852 3 472 9300
 E info@bwgroup.hk

Copyright © B&W Group Ltd. E&OE
 Printed in China.