

PL CENTRE STAND II

CONTENTS:

A x 4



H x 1

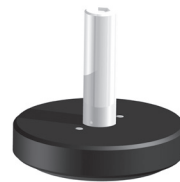
B x 16



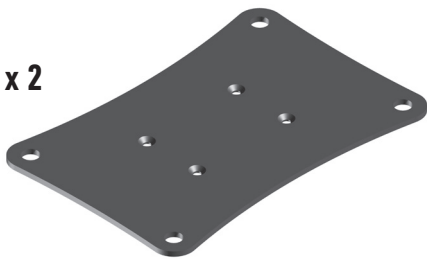
C x 4



I x 4



D x 2



J x 4



K x 4



L x 4



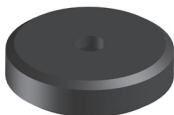
E x 2



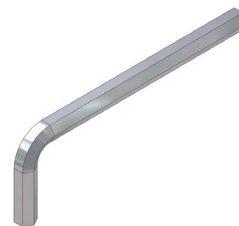
M x 4
Not Shown



F x 4



N x 1
5mm
Not Shown

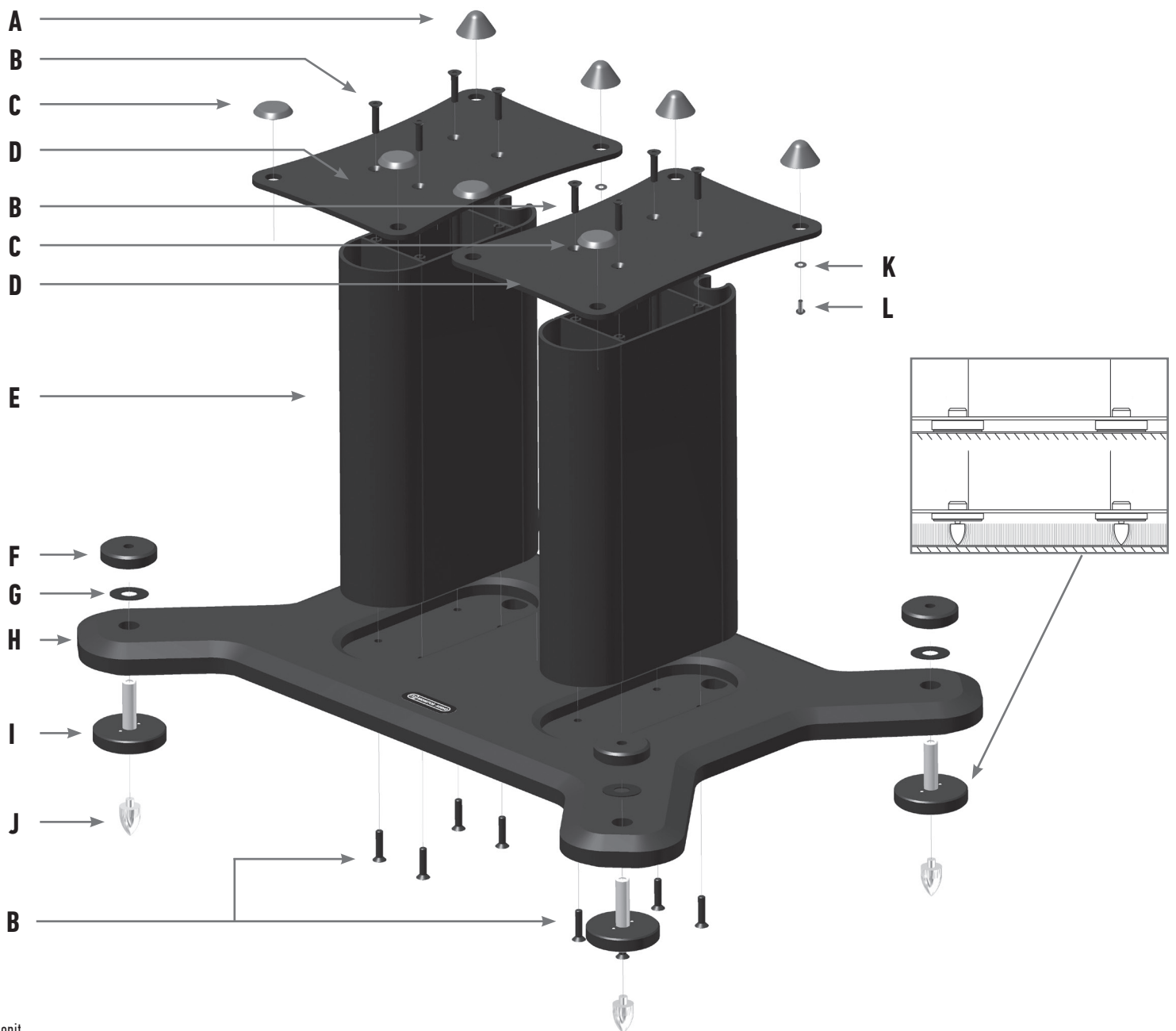
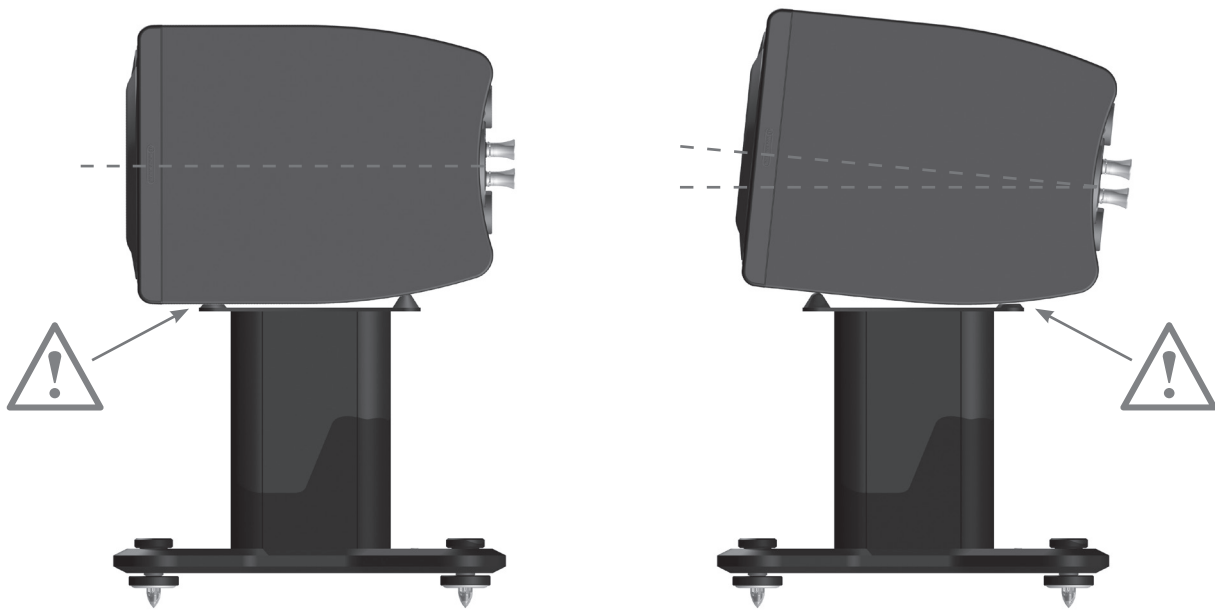


G x 4



O x 1
3mm
Not Shown





Monitor Audio
 24 Brook Road
 Rayleigh, Essex
 SS6 7XJ, England
 Tel: +44 (0)1268 740580
 Fax: +44 (0)1268 740589
 Email: info@monitoraudio.co.uk
 Web: www.monitoraudio.com

Designed and Engineered
 in the United Kingdom.
 Made in China
 © Monitor Audio.

Version 1 2015



Stand Dimensions: (H x W x D)
278 x 580 x 407 mm (Ex feet)
312 x 580 x 407mm (Inc feet & Spikes)