

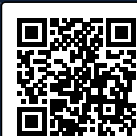
B-SYSTEM

INSTALLATION SOLUTIONS

Wallboxx

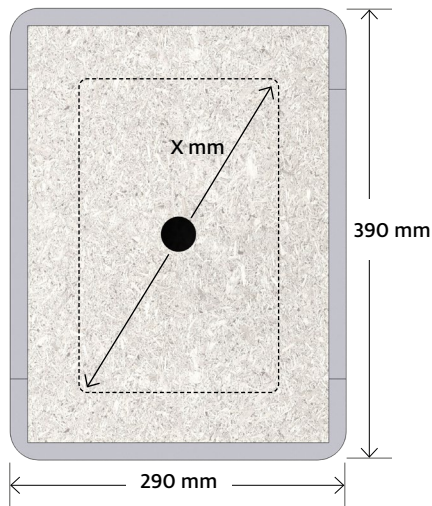
2nd Generation

Data sheet

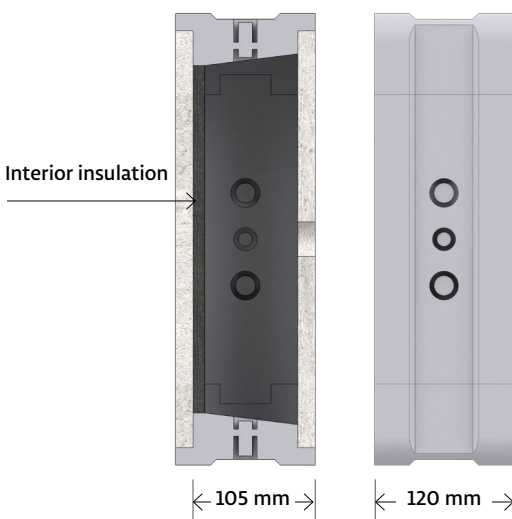


Installation
Video

Suitable for small 4 inch in-wall speakers with a maximum installation depth of 105 mm!



X shows max. possible cut-out.



Description

Wallboxx: universal installation box for brick and concrete walls.

The Wallboxx allows professional installation of installation speakers. Front and rear panels made of OSB, seamlessly integrating into the installation workflow for easy further processing of the wall surface. The surrounding base body is made of EPS and features low-resonance and sound-insulating properties.

Features and benefits

- modular product, available in six standard sizes
- front and rear walls made of quartz-coated OSB boards (15 mm)
- fixed break-out points for optimal installation of electrical conduits (20 mm + 25 mm)
- interior insulation foam, grey (10 mm)
- low weight and high stability with excellent vibration damping compared to other enclosures
- better audio reproduction than enclosures made of wood, sheet metal or plastic
- better air and structure-borne sound insulation than conventional installation backboxes
- universal cut-out (30 mm)

i Prefabricated cut-outs available ex works
Special sizes on request

Scope of supply (per piece)

- 1 Wallboxx XS
- 1 Installation guide
- 1 Cardboard packaging

Type	Wallboxx XS
SKU	1000120
Dimensions	390 × 290 × 120 mm (L × W × H)
Installation depth	105 mm
Cut-out dimension X	max. 270 × 170 mm (L × W)
Internal volume	6.30 l
Fire protection classification	B1
Pallet unit	56 pieces
Pallet dimensions	120 × 80 × 204 cm

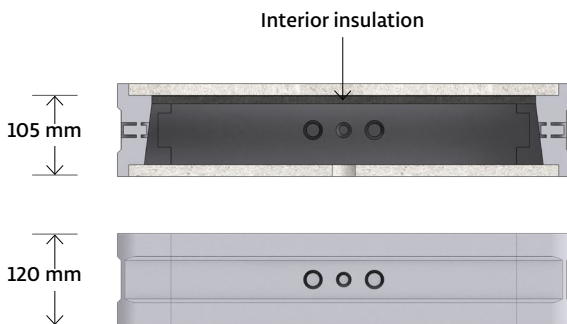
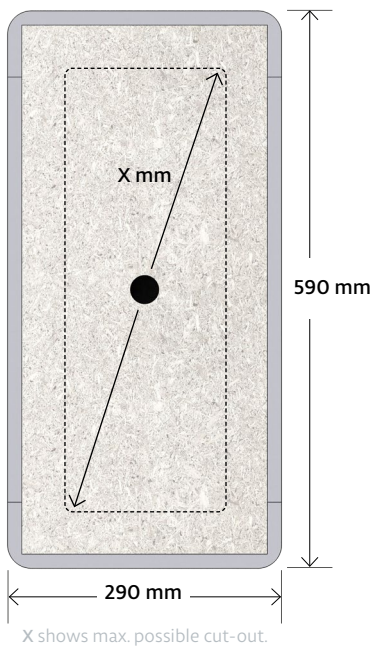


Video installation guide
<https://b-system.com/wallboxx-qr>

Wallboxx S

2nd Generation

Suitable for small 4 inch in-wall speakers with a maximum installation depth of 105 mm!



Data sheet


Description

Wallboxx: universal installation box for brick and concrete walls.

The Wallboxx allows professional installation of installation speakers. Front and rear panels made of OSB, seamlessly integrating into the installation workflow for easy further processing of the wall surface. The surrounding base body is made of EPS and features low-resonance and sound-insulating properties.

Features and benefits

- modular product, available in six standard sizes
- front and rear walls made of quartz-coated OSB boards (15 mm)
- fixed break-out points for optimal installation of electrical conduits (20 mm + 25 mm)
- interior insulation foam, grey (10 mm)
- low weight and high stability with excellent vibration damping compared to other enclosures
- better audio reproduction than enclosures made of wood, sheet metal or plastic
- better air and structure-borne sound insulation than conventional installation backboxes
- universal cut-out (30 mm)

 Prefabricated cut-outs available ex works
Special sizes on request

Scope of supply (per piece)

- 1 Wallboxx S
- 1 Installation guide
- 1 Cardboard packaging

Type	Wallboxx S
SKU	1000121
Dimensions	590 × 290 × 120 mm (L × W × H)
Installation depth	105 mm
Cut-out dimension X	max. 470 × 170 mm (L × W)
Internal volume	10.20 l
Fire protection classification	B1
Pallet unit	56 pieces
Pallet dimensions	120 × 80 × 204 cm

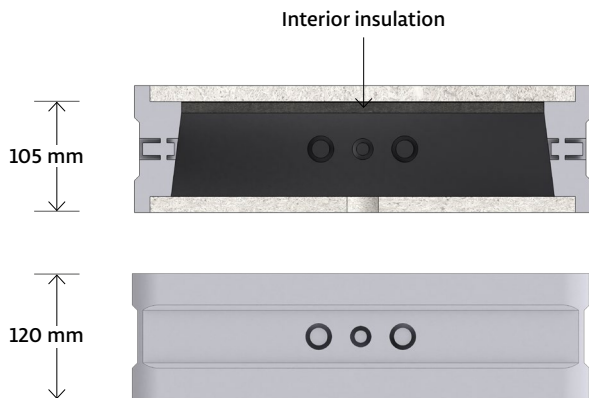
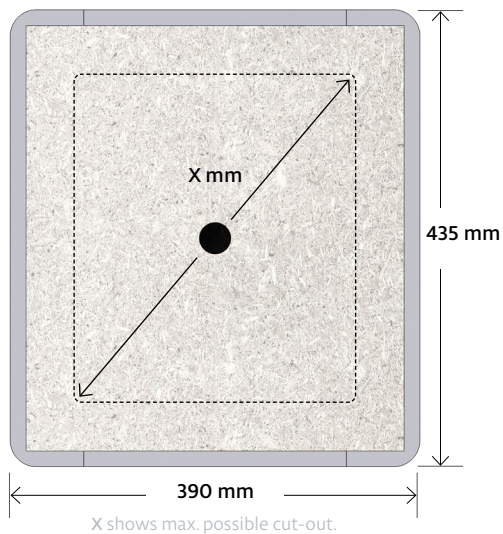


Video installation guide
<https://b-system.com/wallboxx-qr>

Wallboxx M

2nd Generation

Suitable for medium-sized 6-8 inch in-wall speakers with a maximum installation depth of 105 mm!



Data sheet


Description

Wallboxx: universal installation box for brick and concrete walls.

The Wallboxx allows professional installation of installation speakers. Front and rear panels made of OSB, seamlessly integrating into the installation workflow for easy further processing of the wall surface. The surrounding base body is made of EPS and features low-resonance and sound-insulating properties.

Features and benefits

- modular product, available in six standard sizes
- front and rear walls made of quartz-coated OSB boards (15 mm)
- fixed break-out points for optimal installation of electrical conduits (20 mm + 25 mm)
- interior insulation foam, grey (10 mm)
- low weight and high stability with excellent vibration damping compared to other enclosures
- better audio reproduction than enclosures made of wood, sheet metal or plastic
- better air and structure-borne sound insulation than conventional installation backboxes
- universal cut-out (30 mm)

 Prefabricated cut-outs available ex works
Special sizes on request

Scope of supply (per piece)

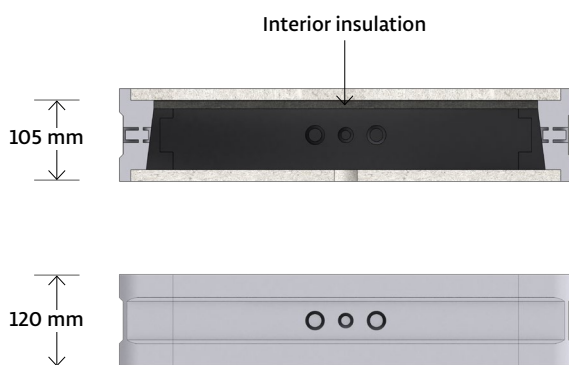
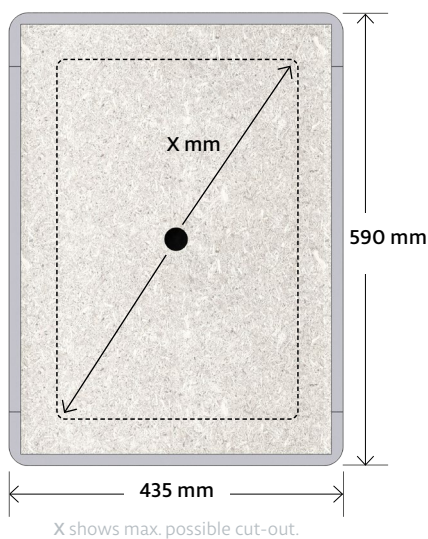
- 1 Wallboxx M
- 1 Installation guide
- 1 Cardboard packaging

Type	Wallboxx M
SKU	1000148
Dimensions	435 × 390 × 120 mm (L × W × H)
Installation depth	105 mm
Cut-out dimension X	max. 315 × 270 mm (L × W)
Internal volume	9.90 l
Fire protection classification	B1
Pallet unit	56 pieces
Pallet dimensions	120 × 80 × 204 cm



Video installation guide
<https://b-system.com/wallboxx-qr>

Suitable for large 6-8 inch in-wall speakers with a maximum installation depth of 105 mm!



Description

Wallboxx: universal installation box for brick and concrete walls.

The Wallboxx allows professional installation of installation speakers. Front and rear panels made of OSB, seamlessly integrating into the installation workflow for easy further processing of the wall surface. The surrounding base body is made of EPS and features low-resonance and sound-insulating properties.

Features and benefits

- modular product, available in six standard sizes
- front and rear walls made of quartz-coated OSB boards (15 mm)
- fixed break-out points for optimal installation of electrical conduits (20 mm + 25 mm)
- interior insulation foam, grey (10 mm)
- low weight and high stability with excellent vibration damping compared to other enclosures
- better audio reproduction than enclosures made of wood, sheet metal or plastic
- better air and structure-borne sound insulation than conventional installation backboxes
- universal cut-out (30 mm)

i Prefabricated cut-outs available ex works
Special sizes on request

Scope of supply (per piece)

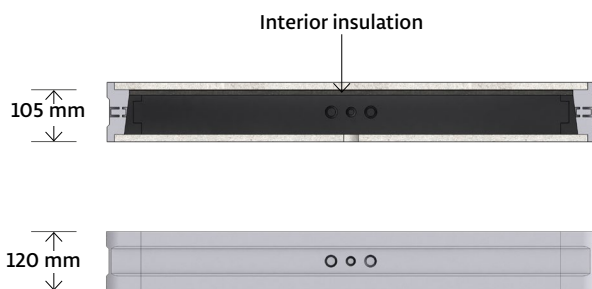
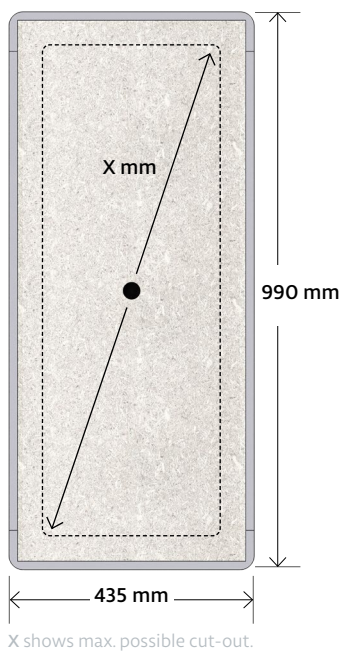
- 1 Wallboxx L
- 1 Installation guide
- 1 Cardboard packaging

Type	Wallboxx L
SKU	1000117
Dimensions	590 × 435 × 120 mm (L × W × H)
Installation depth	105 mm
Cut-out dimension X	max. 470 × 315 mm (L × W)
Internal volume	17.00 l
Fire protection classification	B1
Pallet unit	28 pieces
Pallet dimensions	120 × 80 × 204 cm



Video installation guide
<https://b-system.com/wallboxx-qr>

Suitable for medium-sized LCR in-wall speakers with a maximum installation depth of 105 mm!



Description

Wallboxx: universal installation box for brick and concrete walls.

The Wallboxx allows professional installation of installation speakers. Front and rear panels made of OSB, seamlessly integrating into the installation workflow for easy further processing of the wall surface. The surrounding base body is made of EPS and features low-resonance and sound-insulating properties.

Features and benefits

- modular product, available in six standard sizes
- front and rear walls made of quartz-coated OSB boards (15 mm)
- fixed break-out points for optimal installation of electrical conduits (20 mm + 25 mm)
- interior insulation foam, grey (10 mm)
- low weight and high stability with excellent vibration damping compared to other enclosures
- better audio reproduction than enclosures made of wood, sheet metal or plastic
- better air and structure-borne sound insulation than conventional installation backboxes
- universal cut-out (30 mm)

i Prefabricated cut-outs available ex works
Special sizes on request

Scope of supply (per piece)

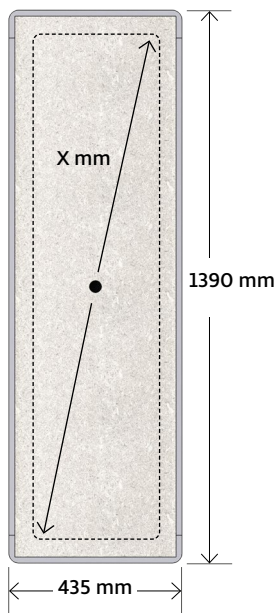
- 1 Wallboxx XL
- 1 Installation guide
- 1 Cardboard packaging

Type	Wallboxx XL
SKU	1000118
Dimensions	990 × 435 × 120 mm (L × W × H)
Installation depth	105 mm
Cut-out dimension X	max. 870 × 315 mm (L × W)
Internal volume	30.10 l
Fire protection classification	B1
Pallet unit	24 pieces
Pallet dimensions	120 × 80 × 195 cm

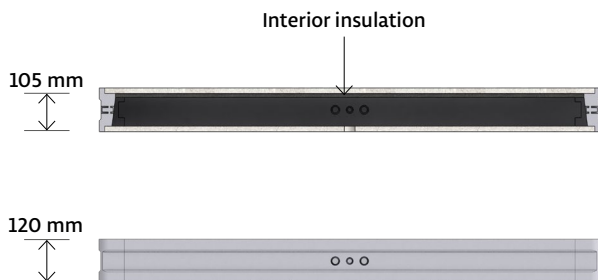


Video installation guide
<https://b-system.com/wallboxx-qr>

Suitable for large LCR in-wall speakers with a maximum installation depth of 105 mm!



X shows max. possible cut-out.



Description

Wallboxx: universal installation box for brick and concrete walls.

The Wallboxx allows professional installation of installation speakers. Front and rear panels made of OSB, seamlessly integrating into the installation workflow for easy further processing of the wall surface. The surrounding base body is made of EPS and features low-resonance and sound-insulating properties.

Features and benefits

- modular product, available in six standard sizes
- front and rear walls made of quartz-coated OSB boards (15 mm)
- fixed break-out points for optimal installation of electrical conduits (20 mm + 25 mm)
- interior insulation foam, grey (10 mm)
- low weight and high stability with excellent vibration damping compared to other enclosures
- better audio reproduction than enclosures made of wood, sheet metal or plastic
- better air and structure-borne sound insulation than conventional installation backboxes
- universal cut-out (30 mm)

i Prefabricated cut-outs available ex works
Special sizes on request

Scope of supply (per piece)

- 1 Wallboxx XXL
- 1 Installation guide
- 1 Cardboard packaging

Type	Wallboxx XXL
SKU	1000301
Dimensions	1390 × 435 × 120 mm (L × W × H)
Installation depth	105 mm
Cut-out dimension X	max. 1270 × 315 mm (L × W)
Internal volume	43.30 l
Fire protection classification	B1
Pallet unit:	24 pieces
Pallet dimensions	148 × 80 × 195 cm



Video installation guide
<https://b-system.com/wallboxx-qr>

B-SYSTEM

INSTALLATION SOLUTIONS

B-SYSTEM GmbH
Bismarckstraße 19
78652 Deisslingen
Germany

Phone: +49 (0)7420 889-889
E-mail: info@b-system.com
Web: www.b-system.com